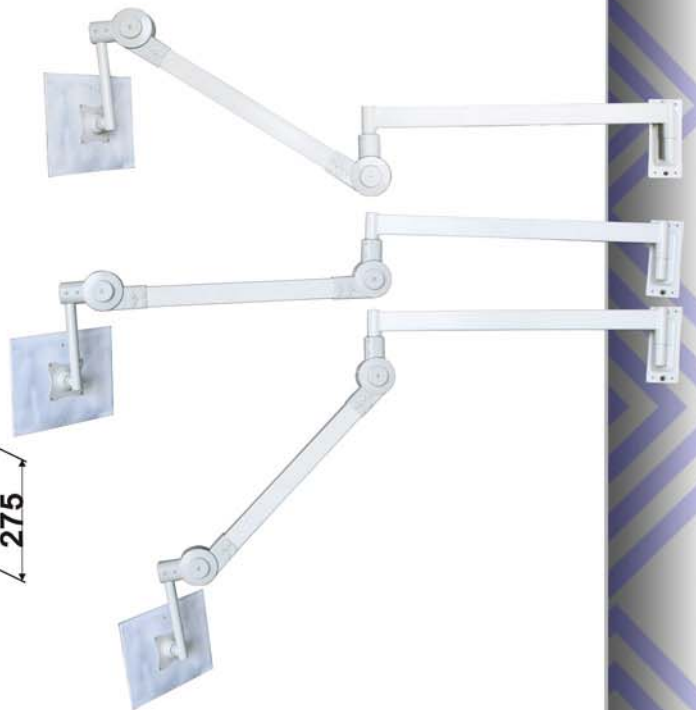
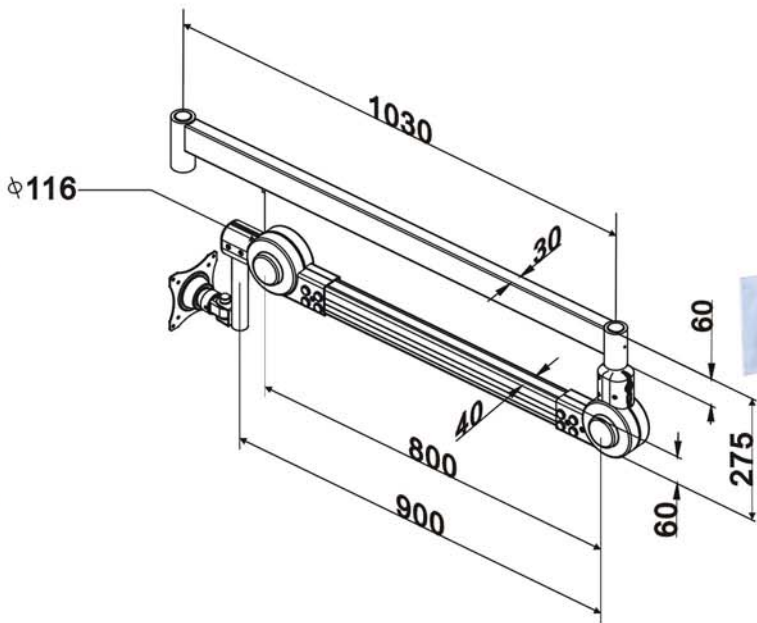
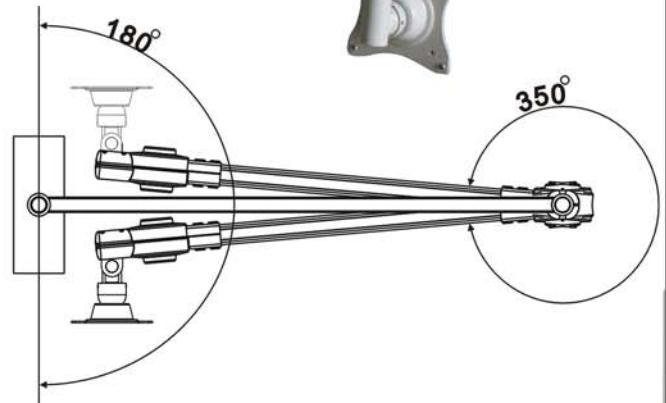
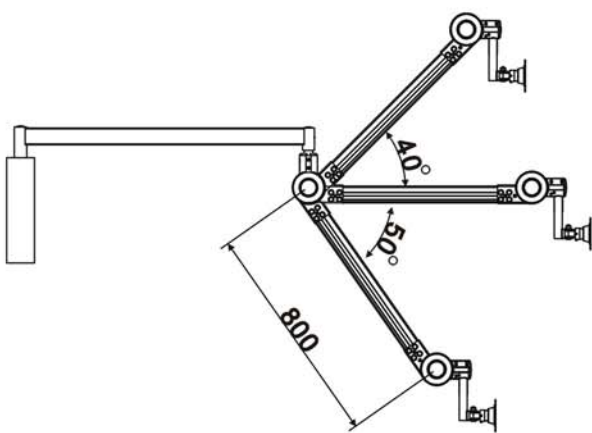


A910 Long Arm



- Easy to install with the perfect wall mount
- Suitable for hospital, doctor, patient in the bed
- Made of 100% recycled aluminum material for strength and stability
- Main construction made by iron, covered by aluminum and plastic
- Adjustable position, meets any 4 holes standard (75x75,100x100mm)
- Length: 180cm(71"), Weight: 8kgs(24lbs), Loading: max.8kgs(18lbs)
- Horizontal distance:0~180cm(71"), Vertical distance:98cm(38")
- Any Directions movement

All rights reserved by multi-countries patent

Your Unique Patent LCD Monitor Arm

Your exclusive Arm