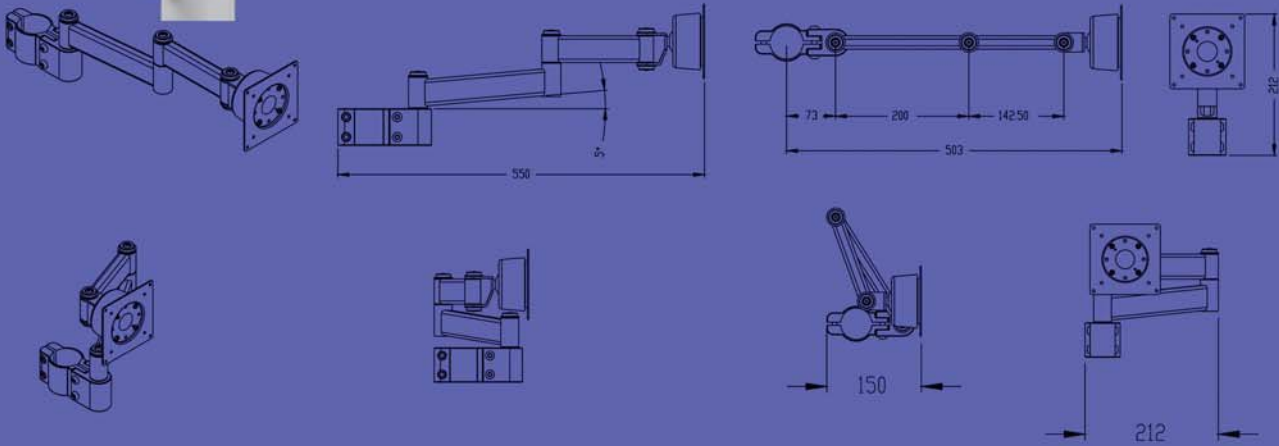




A876



- **Swivel Aluminum Arm Mountable on Vertical Pipe for Hospital LCD Monitors**
- **Easy to install with the perfect Pole mount**
- **Superior flexibility and movement**
- **Meets VESA standards (7.5x7.5cm and 10x10cm)**
- **Made of 100% recycled iron and Aluminum material for strength and stability**
- **Each monitors weighing: 15kgs(33 lbs) up to 23"**
- **Pole diameter range: 40~50mm(1.5~2")**
- **Swivel any directions: 30 degrees**
- **LCD monitor swivel: 360 degrees**
- **Left & right moving: 90 degrees**
- **Horizontal moving dist: -50~50cm(40")**
- **Save your workspace**