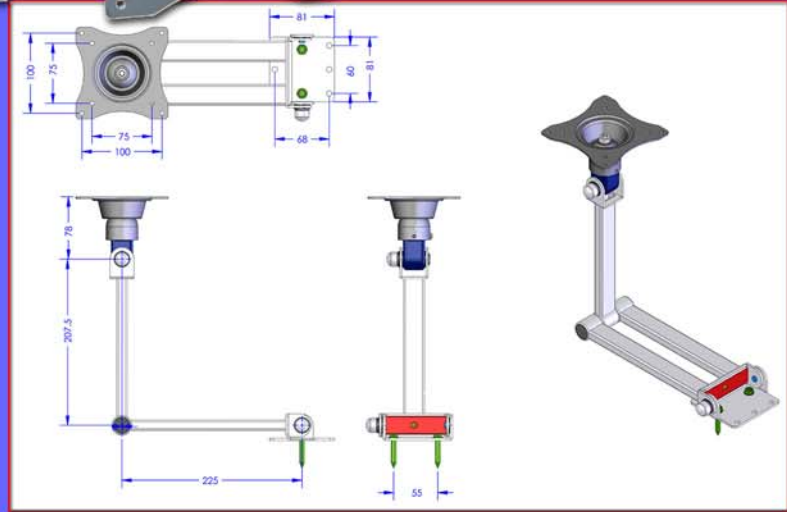




**A816**



- **Two ways Swivel Arm Mountable on Vertical Pipe**
- **Easy to install with the perfect Pole mount**
- **Superior flexibility and movement**
- **Meets VESA standards (7.5x7.5cm and 10x10cm)**
- **Made of 100% recycled iron material for strength and stability**
- **Each monitors weighing: 20kgs(44 lbs) up to 27"**
- **Pole diameter range: 35~48mm**
- **Swivel any directions: 20 degrees**
- **LCD monitor swivel: 360 degrees**
- **Left & right moving: 90 degrees**
- **Horizontal moving dist: -51~51cm(40")**
- **Save your workspace**