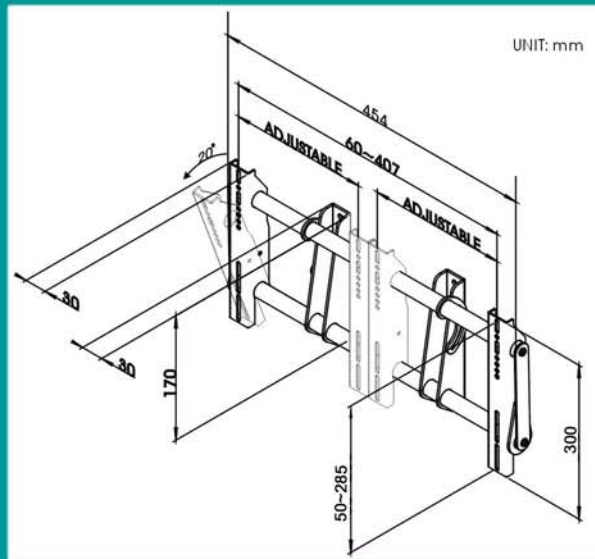


A750



- Universal Adjustable Wall mount and tilting for LCD TV in wide pillars
- Easy installation and strong combination both
- Adjustable screw position for TV backside mount
- TV backside horizontal screw range: 3~40cm(1.2~16")
- TV backside vertical screw range: 5~28cm(2~11")
- 20° forward tilting angle
- Between TV backside and Wall distance:5cm(2")
- Max.distance 40cm(16") between pillars on the wall
- Loading: 176lbs or 80kgs (90" TV weight)

All rights reserved by multi countries patent

Your Unique Patent LCD TV PDP Mount

Your exclusive Mount