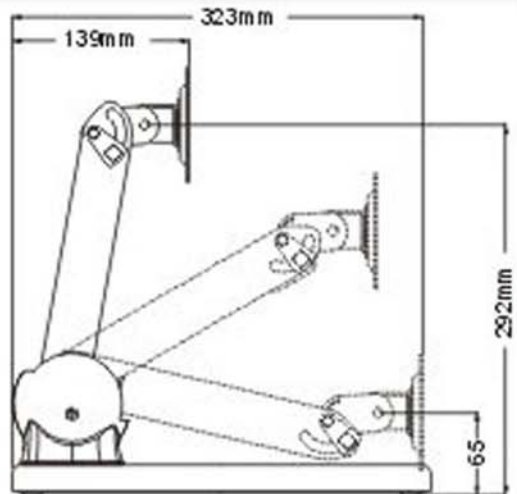


A500T



- Easy to install with the perfect table stand for every work-station
- Superior flexibility and movement
- Meets VESA standards (75x75mm and 100x100mm)
- Weight: 5kg Horizontal dist: 183mm Vertical dist:274mm Loading: 20kg
- Original upwards & downwards: 90 degrees
- Pivot upwards & downwards: 180 degrees
- include 4 hole to fix on the table on the bottom
- Nob for more stable touchscreen
- LCD monitor swivel: 180 degrees
- Self-rotation: 360 degrees
- 3 Directions table stand
- Save your workspace
- Adjustable arm

All rights reserved by multi countries patent



Your Unique Patent LCD Monitor Arm

Your exclusive Arm